



Profit from the Eagle Advantage®

Specification Sheet

Short Form Specifications

Eagle Laboratory Wall Shelves, model _____: Three shelf modular system with stainless steel 16 gauge 1" tubular uprights with laser cut notches for shelf attachment and mounting. 16 gauge type 304 stainless shelves with 1/4" rear upturn, 4 1/2" upturned bookends, and center hat channel. Shelves attached with triple hooks per end adjustable on 1/2" centerlines. Uprights are 36 1/2" tall. Shelves are available in 12", 15", and 18" depths and 24", 30", 36", 48", 60", and 72" lengths. Optional wire ledge is available. Designed to meet the SEFA recommended practices.



#LS1236-36-3L
laboratory wall shelf unit

Item No.: _____
Project No.: _____
S.I.S. No.: _____

Laboratory Wall Shelves with Upturned Bookends

MODELS:

- LS1230-36-3
- LS1236-36-3
- LS1248-36-3
- LS1260-36-3
- LS1272-36-3
- LS1530-36-3
- LS1536-36-3
- LS1548-36-3
- LS1560-36-3
- LS1572-36-3
- LS1830-36-3
- LS1836-36-3
- LS1848-36-3
- LS1860-36-3
- LS1872-36-3
- LS1230-36-3L
- LS1236-36-3L
- LS1248-36-3L
- LS1260-36-3L
- LS1272-36-3L
- LS1530-36-3L
- LS1536-36-3L
- LS1548-36-3L
- LS1560-36-3L
- LS1572-36-3L
- LS1830-36-3L
- LS1836-36-3L
- LS1848-36-3L
- LS1860-36-3L
- LS1872-36-3L

Design & Construction Features:

- 36 1/2" (927mm) tall, 1" (25mm) square, 16 gauge stainless steel tubular uprights with laser-cut notches for shelves
- 16 gauge type 304 stainless steel shelves with 1/4" rear upturn, 4 1/2" (114mm) bookends, and center hat channel
- Three shelves, adjustable on 1/2" (32mm) centerlines, attach with triple hooks per end
- Available in 12", 15", and 18" (305, 381, and 457mm) depths
- Available in lengths ranging from 24" to 72" (610 to 1828mm)
- Offered with or without front wire ledge.
- 150-lb. (68.1 kg) weight capacity.

Options / Accessories

- 1/4" diameter wire ledge
- Additional shelves
- Custom sizing per application

Certifications / Approvals



SEFA 8 Metal Casework

EAGLE GROUP

100 Industrial Boulevard, Clayton, DE 19938-8903 USA
Phone: 302-653-3000 • 800-441-8440 • Fax: 302-653-2065
www.eaglegrp.com
www.eaglemhc.com

For custom configuration or fabrication needs, contact our SpecFAB® Division.
Phone: 302-653-3000 • Fax: 302-653-2065 • e-mail: quotes@eaglegrp.com

EG03.80 Rev. 01/24

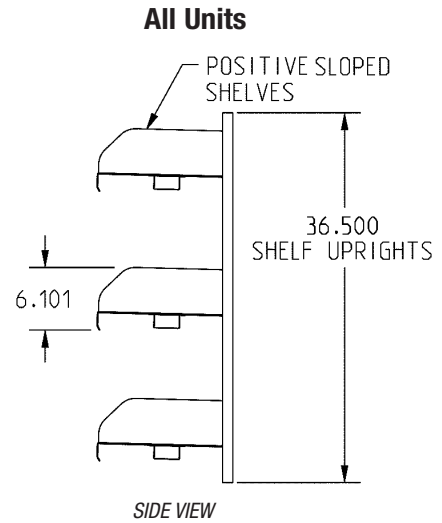
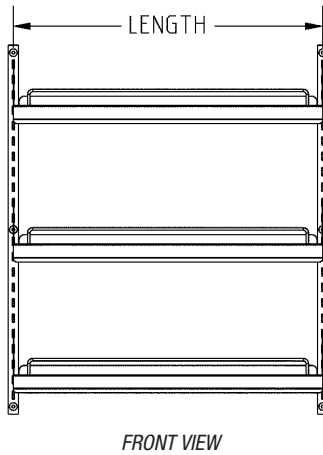
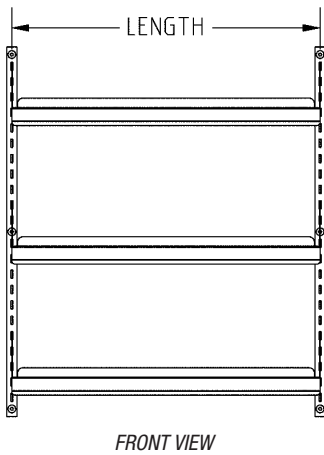
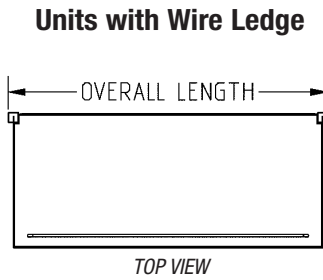
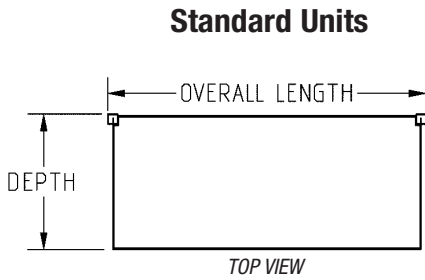
Spec sheets available for viewing, printing or downloading from our online literature library at our websites



Profit from the Eagle Advantage®

Item No.: _____
 Project No.: _____
 S.I.S. No.: _____

Laboratory Wall Shelves with Upturned Bookends



| COMPLETE UNITS | | | | | | | | | | COMPONENTS | | | | | |
|----------------|-----|--------------|------|------------------|------|---------------|------|-----------------------|----------------------------------|--------------|------------------------------------|----------|-----|----|---------|
| shelf depth | | shelf length | | O.A. unit length | | unit * weight | | with Standard Shelves | with Front Wire Ledge on Shelves | Single Shelf | Single Shelf with Front Wire Ledge | Uprights | | | |
| in. | mm | in. | mm | in. | mm | lbs. | kg | model # | model # | model # | model # | height | in. | mm | model # |
| 12" | 305 | 30" | 762 | 31" | 787 | 38 | 17.2 | LS1230-36-3 | LS1230-36-3L | LS1230 | LS1230-L | | | | |
| 12" | 305 | 36" | 914 | 37" | 939 | 43 | 19.5 | LS1236-36-3 | LS1236-36-3L | LS1236 | LS1236-L | | | | |
| 12" | 305 | 48" | 1219 | 49" | 1244 | 52 | 23.6 | LS1248-36-3 | LS1248-36-3L | LS1248 | LS1248-L | | | | |
| 12" | 305 | 60" | 1524 | 61" | 1549 | 62 | 28.1 | LS1260-36-3 | LS1260-36-3L | LS1260 | LS1260-L | | | | |
| 12" | 305 | 72" | 1828 | 73" | 1854 | 71 | 32.2 | LS1272-36-3 | LS1272-36-3L | LS1272 | LS1272-L | | | | |
| 15" | 381 | 30" | 762 | 31" | 787 | 44 | 20.0 | LS1530-36-3 | LS1530-36-3L | LS1530 | LS1530-L | | | | |
| 15" | 381 | 36" | 914 | 37" | 939 | 50 | 22.7 | LS1536-36-3 | LS1536-36-3L | LS1536 | LS1536-L | | | | |
| 15" | 381 | 48" | 1219 | 49" | 1244 | 61 | 27.7 | LS1548-36-3 | LS1548-36-3L | LS1548 | LS1548-L | | | | |
| 15" | 381 | 60" | 1524 | 61" | 1549 | 72 | 32.7 | LS1560-36-3 | LS1560-36-3L | LS1560 | LS1560-L | | | | |
| 15" | 381 | 72" | 1828 | 73" | 1854 | 83 | 37.6 | LS1572-36-3 | LS1572-36-3L | LS1572 | LS1572-L | | | | |
| 18" | 457 | 30" | 762 | 31" | 787 | 51 | 23.1 | LS1830-36-3 | LS1830-36-3L | LS1830 | LS1830-L | | | | |
| 18" | 457 | 36" | 914 | 37" | 939 | 57 | 25.9 | LS1836-36-3 | LS1836-36-3L | LS1836 | LS1836-L | | | | |
| 18" | 457 | 48" | 1219 | 49" | 1244 | 70 | 31.8 | LS1848-36-3 | LS1848-36-3L | LS1848 | LS1848-L | | | | |
| 18" | 457 | 60" | 1524 | 61" | 1549 | 83 | 37.6 | LS1860-36-3 | LS1860-36-3L | LS1860 | LS1860-L | | | | |
| 18" | 457 | 72" | 1828 | 73" | 1854 | 97 | 44.0 | LS1872-36-3 | LS1872-36-3L | LS1872 | LS1872-L | | | | |

* Weight is for the complete kit consisting of three shelves and two uprights.

EAGLE GROUP
 100 Industrial Boulevard, Clayton, DE 19938-8903 USA
 Phone: 302-653-3000 or 800-441-8440 • Fax: 302-653-2065
 www.eaglegrp.com • www.eaglehmc.com

Printed in U.S.A.
 ©2024 by Eagle Group

Rev. 01/24

Spec sheets available for viewing, printing or downloading from our online literature library at our websites

Although every attempt has been made to ensure the accuracy of the information provided, we cannot be held responsible for typographical or printing errors. Information and specifications are subject to change without notice. Please confirm at time of order.