

UFC Ultra-Fine Cartridges for work in tight spaces, compatible with CV-5200, CV-500 Systems and Ultra-Fine Solder Hand piece CV-H2-UF.



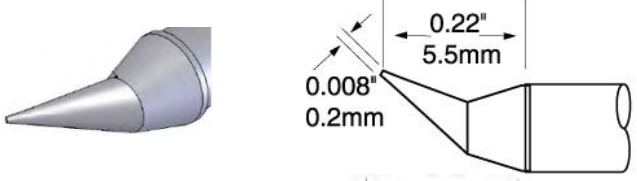
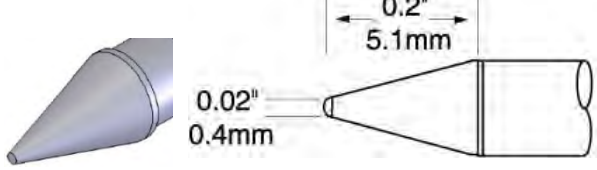
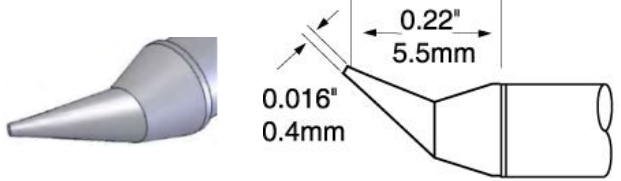
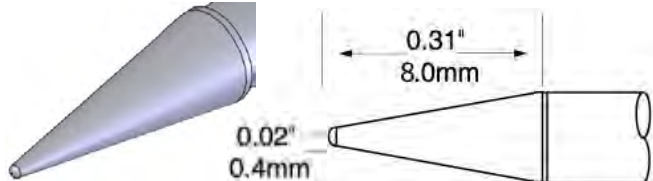
Temperature	CV-Series	Application
675 °F/357 °C	UFC-6	Temperature Sensitive
775 °F/413 °C	UFC-7	Most Standard

Please note the above temperatures are the maximum temperatures of the heater. The idle temperature is dependent on the geometry of the cartridge.

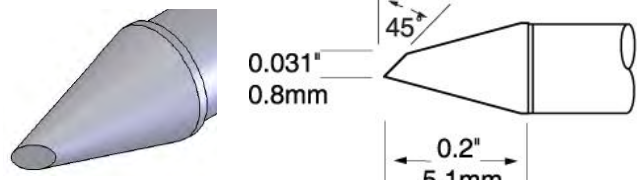
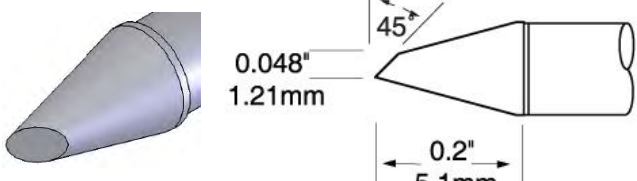
Ultra-Fine Chisel Cartridge		
	UFC-6CH5106S UFC-7CH5106S	(W x L) 0.6 x 5.1 mm
	UFC-6CH9006S UFC-7CH9006S	Long reach, (W x L) 0.6 x 9 mm
	UFC-6CH5108S UFC-7CH5108S	(W x L) 0.8 x 5.1 mm
	UFC-6CH9008S UFC-7CH9008S	Long reach, (W x L) 0.8 x 9 mm
	UFC-6CH5112S UFC-7CH5112S	(W x L) 1.2 x 5.1 mm

Ultra-Fine Conical Cartridge		
	UFC-6CN5101S UFC-7CN5101S	(ϕ x L) 0.13 x 5.1 mm
	UFC-6CN5102S UFC-7CN5102S	(ϕ x L) 0.2 x 5.1 mm

Ultra-Fine Conical Cartridge

	<p>UFC-6CN5502R UFC-7CN5502R</p>	<p>Bent 30°, for work under a microscope, (ϕ x L) 0.2 x 5.6 mm</p>
	<p>UFC-6CN5504S UFC-7CN5504S</p>	<p>0.4 x 5.1 mm</p>
	<p>UFC-6CN5504R UFC-7CN5504R</p>	<p>Bent 30°, for work under a microscope, 0.4 x 5.6 mm</p>
	<p>UFC-6CN8004S UFC-7CN8004S</p>	<p>For work in tight spaces, long reach, 0.4 x 8.0 mm</p>

Ultra-Fine Rework Hoof-Cartridges – For Drag Soldering SOICs/QFPs

	<p>UFC-6HF5108S UFC-7HF5108S</p>	<p>Micro Hoof, (Bevel/L) 45° x 1.13 mm, (ϕ x L) 0.8 x 5.1 mm</p>
	<p>UFC-6HF5112S UFC-7HF5112S</p>	<p>Micro Hoof, (Bevel/L) 45° x 1.71 mm, (ϕ x L) 1.21 x 5.1 mm</p>