

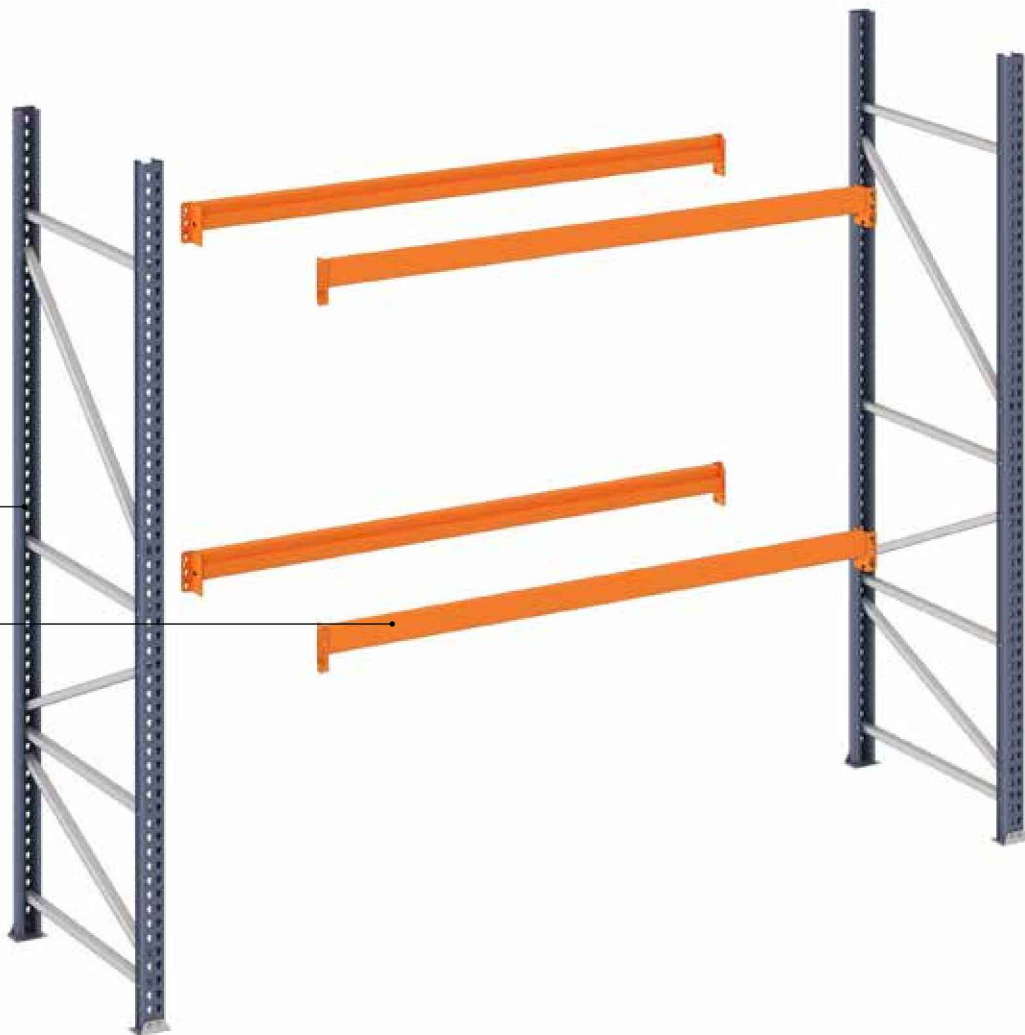
ASSEMBLY INSTRUCTIONS

PALLET RACK SHELVING UNIT



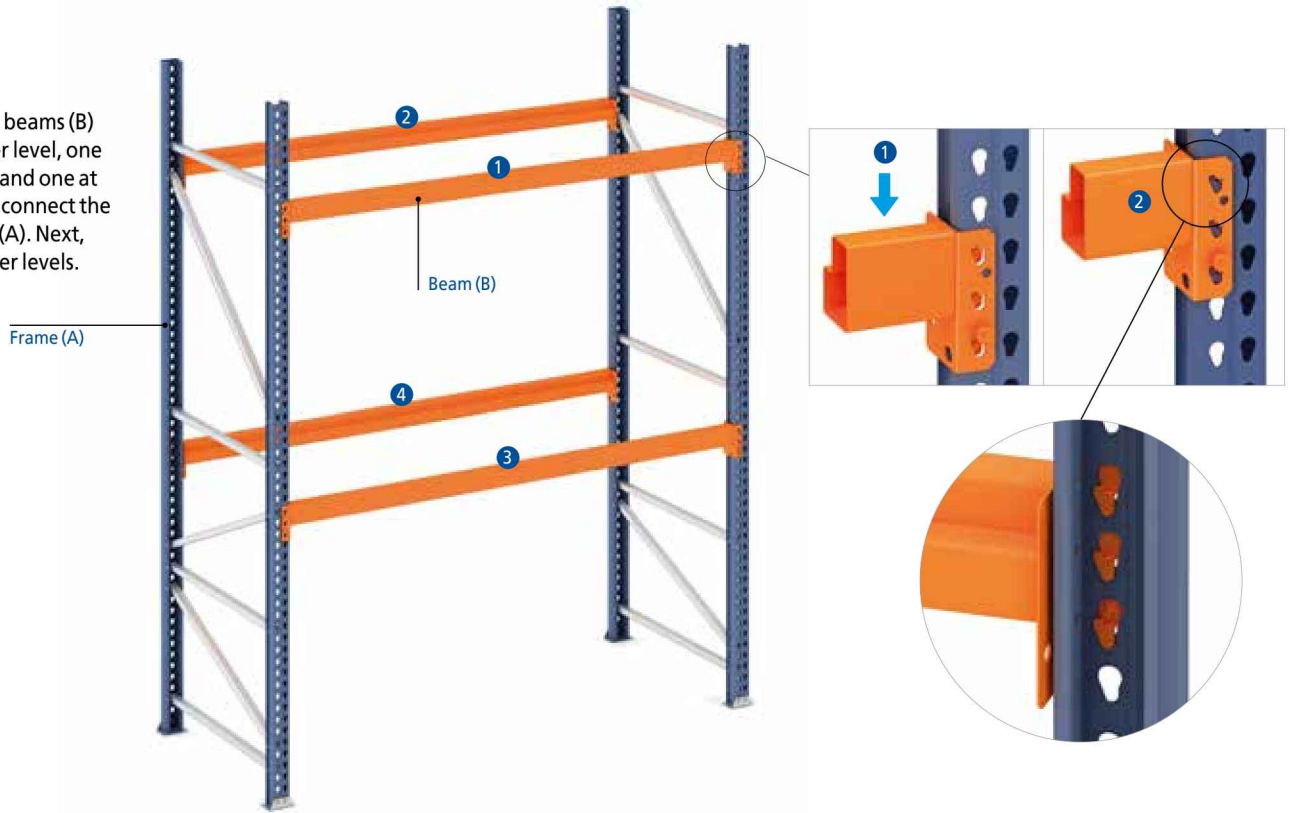
Frame (A)

Beam (B)



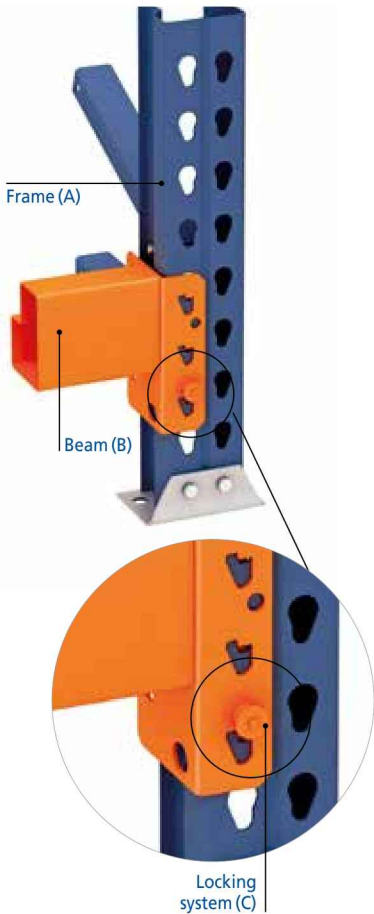
1

Position the beams (B) on the upper level, one at the front and one at the back, to connect the two frames (A). Next, add the lower levels.



2

The beams are fitted with a locking system (C) to prevent them from moving.



4

Follow the procedure described in the previous step to position the intermediate beams.

If there are more than two levels, follow the procedure described in Step 1 starting with the upper levels.

