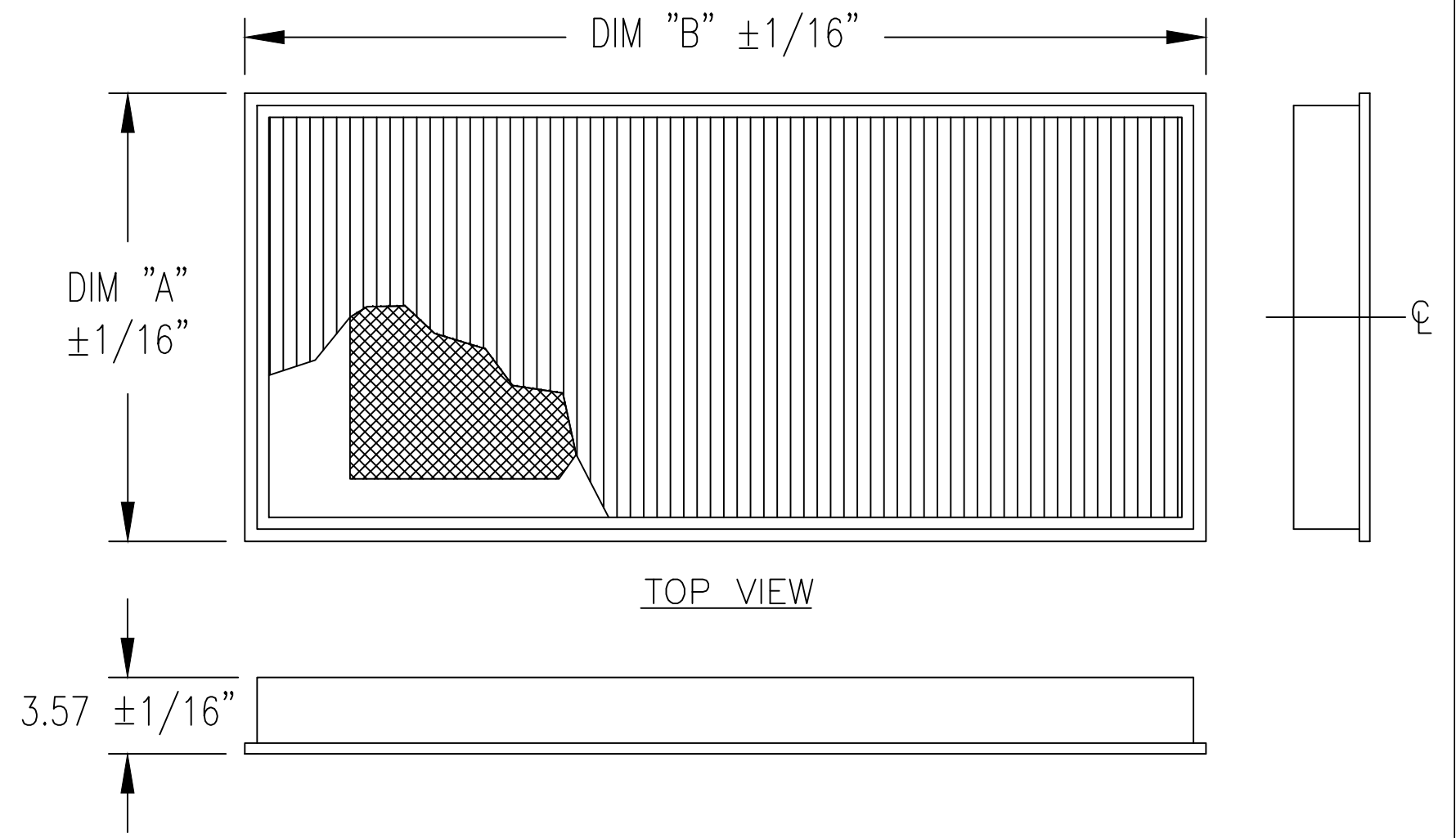


69601 - XXX X X

REV	DESCRIPTION	BY	DATE
~	PRODUCTION RELEASE;ECN-52102	RCH	7/29/13

SIZE: SEE CHART	MEDIA: [H] HEPA [U] ULPA	PAINTED FRAME: [P] PAINTED [] UNPAINTED
--------------------	--------------------------------	--

CODE	NOMINAL SIZE	DIM. "A"	DIM. "B"
[001]	2X4	21.000	45.000
[002]	2X3.5	21.000	39.000
[003]	2X3	21.000	33.000
[004]	2X2	21.000	21.000
[005]	2X4	20.500	44.500
[006]	2X3.5	20.500	38.500
[007]	2X3	20.500	32.500
[008]	2X2	20.500	20.500
[009]	22.50X46.50	19.880	43.880
[010]	23.63X46.50	21.000	43.880
[011]	22.50X22.50	19.880	19.880



- NOTES:
- FILTER MEDIA: MICROGLASS FIBER WITH ACRYLIC LATEX BINDER
 - PLEAT DEPTH: 3" PLEAT OR 53MM
 - EFFICIENCY: H= HEPA = 99.99% EFFICIENT @ 0.30µm (IEST-RP-C007)
U= ULPA = 99.9995% EFFICIENT @ 0.12µm (IEST-RP-C007)
 - RESISTANCE: H= HEPA = 0.32" ±0.02" W.G. AT 100 FPM (560 CFM)
U= ULPA = 0.40" ±0.02" W.G. AT 100 FPM (560 CFM)
 - SEPARATOR MATERIAL: PER MANUFACTURES SPEC
 - FRAME MATERIAL: ANODIZED ALUMINUM GEL SEAL
 - GRILLE MATERIAL: EXPANDED METAL PAINTED WHITE
 - SEALANT MATERIAL: FIRE RETARDANT TWO-PART URETHANE
 - EFFICIENCY TEST: HEPA = TYPE J FILTER (IEST-RP-C034)
ULPA = TYPE F FILTER (IEST-RP-C034)
 - FIRE RATING: GRADE 4 UL-900

DIMENSION ARE IN INCHES		MATERIAL:		TRION ® PROPERTY OF TRION, SANFORD, NC 27330			TITLE FILTER - MAC10 RSR, SUBMITTAL	REV ~
TOLERANCES-UNLESS OTHERWISE SPECIFIED								SCALE 1/1
.X OR X/X ±.05	CONC .005 TIR	SHEAR SIZE	SQ FT	U/M	DRW RCH	CHK RCH	APP DAR	SHEET 1/1
.XX ±.03	BEND RAD: DWG 122223				7/29/13	7/29/13	7/29/13	
.XXX ±.015	FINISH: NONE							
ANGULAR ±1°	REMOVE BURRS AND SHARPS							
							DWG 8000012	