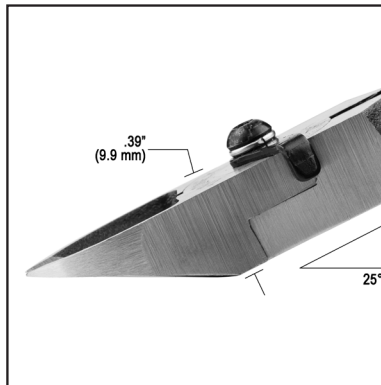
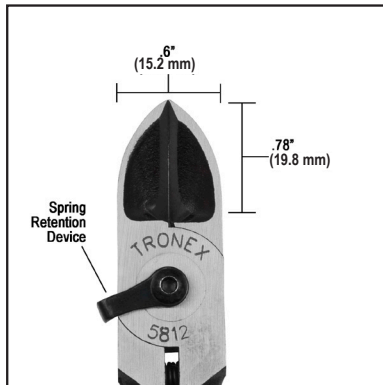




**Features:**

- **Application:** This cutter, forged of carbon steel, has strength in the head and joint areas needed to cut heavier gauge wire or cable
- **Head Shape:** Extra Large Oval Head
- **Material:** Carbon Steel
- **Material Hardness:** 62-63 HRC
- **Handle Grips:** Cushion Double Sheathed, ESD Safe
- **RTT Resistance:**  $<1 \times 10^{11}$  ohms tested per ANSI/ESD STM11.13 Two-Point Probe, resistance measurement for static dissipative materials

Item	Cutting Edge	Cutting Capacity (Soft Copper Wire)	Profile	Handle Length	Overall Length
5812	Flush	.010 in - .080 in 0.3 mm - 2 mm 29 - 12 AWG	Standard	Standard	5.2 in 132 mm



Standard Profile

Specifications and procedures subject to change without notice.

Unless otherwise noted, tolerance is  $\pm 10\%$ .



Made in the United States of America

**EXTRA LARGE OVAL HEAD FLUSH HEAVY DUTY CUTTER, STANDARD HANDLE**

2860 CORDELIA RD STE 230, FAIRFIELD CA, 94534  
 PHONE: (909) 627-2453  
 WEBSITE: [TronexTools.com](http://TronexTools.com)

**DRAWING NUMBER**  
5812

**DATE**  
October 2021

**TRONEX**