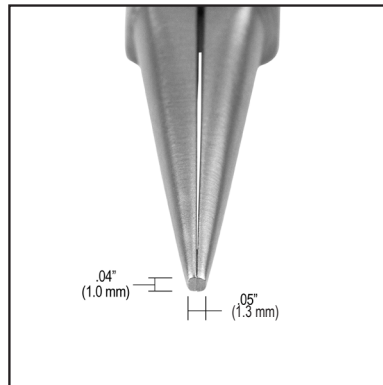




Features:

- **Application:** Needle nose pliers with long smooth jaws that are machined into thin half cones. This thin profile increases tool access in fine electronics work.
- **Jaw Shape:** Needle Nose
- **Material:** Carbon Steel
- **Material Hardness:** 32-33 HRC
- **Handle Grips:** Cushion Double Sheathed, ESD Safe
- **RTT Resistance:** $<1 \times 10^{11}$ ohms tested per ANSI/ESD STM11.13 Two-Point Probe, resistance measurement for static dissipative materials

Item	Handle Length	Overall Length
P521	Standard	5.4 in 137 mm



Standard Profile

Unless otherwise noted, tolerance is $\pm 10\%$.



Made in the United States of America

Specifications and procedures subject to change without notice.

NEEDLE NOSE PLIERS LONG SMOOTH JAW, STANDARD HANDLE

TRONEX

2860 CORDELIA RD STE 230, FAIRFIELD CA, 94534
 PHONE: (909) 627-2453
 WEBSITE: TronexTools.com

DRAWING NUMBER
P521

DATE
November 2021