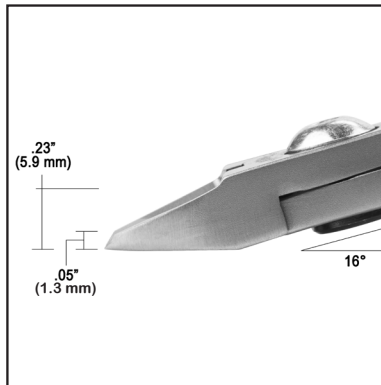
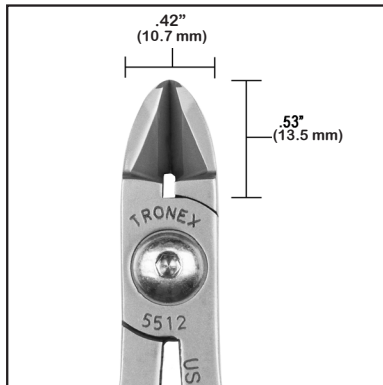




Features:

- **Application:** Used for general purpose cutting and have more head material for greater cutting capacity.
- **Head Shape:** Large Oval Head
- **Material:** Carbon Steel
- **Material Hardness:** 62-63 HRC
- **Handle Grips:** Cushion Double Sheathed, ESD Safe
- **RTT Resistance:** $<1 \times 10^{11}$ ohms tested per ANSI/ESD STM11.13 Two-Point Probe, resistance measurement for static dissipative materials

Item	Cutting Edge	Cutting Capacity (Soft Copper Wire)	Profile	Handle Length	Overall Length
5512	Flush	.006 in - .059 in 0.15 mm - 1.5 mm 35 - 15 AWG	Standard	Standard	4.7 in 119 mm



Standard Profile

Unless otherwise noted, tolerance is $\pm 10\%$.



Made in the United States of America

Specifications and procedures subject to change without notice.

LARGE OVAL HEAD FLUSH CUTTER, STANDARD HANDLE

2860 CORDELIA RD STE 230, FAIRFIELD CA, 94534
 PHONE: (909) 627-2453
 WEBSITE: TronexTools.com

DRAWING NUMBER
5512

DATE
October 2021

TRONEX