

# ERGO SERIES TORQUE REACTION ARMS

## ERGO-50 Series Torque Reaction Arm

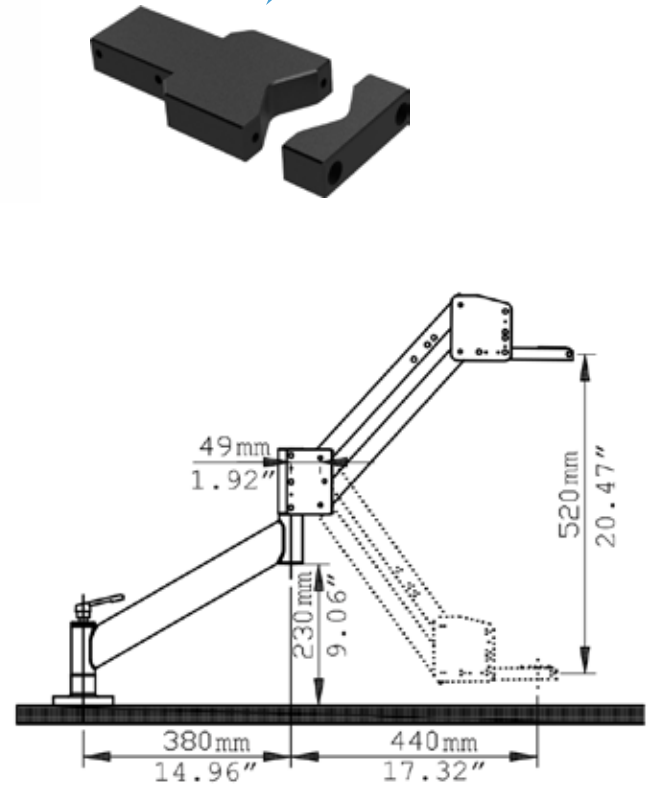
The ERGO 50 Series arms provide excellent functionality and ergonomic benefits to any work station. Increased torque accuracy and reduced operator injury helps lead to optimal productivity.

- Working range of 50–830 mm (2-32.5")
- Max torque of 50 Nm
- ERGO-50 arms use an integrated nitrogen gas shock, no compressed air needed
- Universal tool holder available to hold a wide range of tools

The universal tool holder accepts a diameter of 22–46mm.



Custom options are available. Please contact us with your specific application requirements and we will build a tailored solution to suit your needs.



### Specifications

Model with Dedicated Tool Holder	ERGO-50D-1	ERGO-50D-2	ERGO-50D-3	ERGO-50D-4
Compatible Tools	CESL828/829 ICESL628/629	CESLT935 to CESLT955	CESLT835 to CESLT875	CESLT885/895
Reach	50-830mm (2-32.5")			
Model with Universal Tool Holder	ERGO-50-UTH-1	ERGO-50-UTH-2	ERGO-50-UTH-3	
Tool Weight Range	0-1kg (0-2.2 lbs)	1-2kg (2.2-4.4 lbs)	2-3kg (4.4-6.6 lbs)	
Reach	50-830mm (2-32.5")			