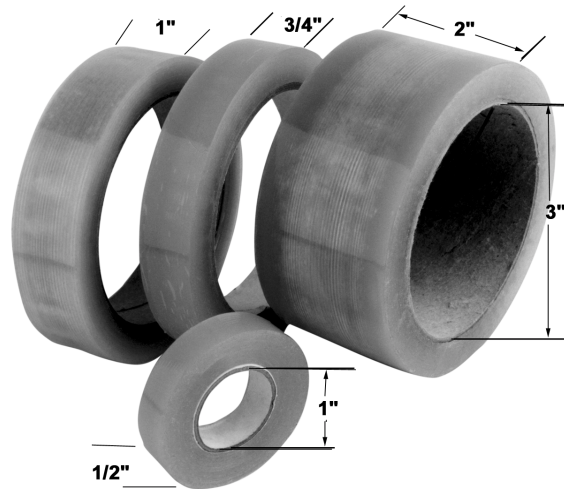


PRODUCT INFORMATION B1651 ANTI STATIC TAPES



Description:

Botron offers many types of anti-static tapes. Transparent cellophane, yellow printed, transparent printed, Red and Blue strip also printed as needed. We offer Conductive grid tape, Hi temp masking tape, Kapton and anti-static Kapton tapes. Our tapes are offered in 3" core as well as some in 1" core. The transparent tape series will typically generate less than 250volts. We also offer two type of tape dispenser, they hold only 3" core up to 3" wide or 3 rolls 1" wide or any combination of rolls. B1602 & B1603

Disclaimer. All statements of technical information are believed to be true and are based upon tests we believe to be reliable. The proper use and application for this product must be the responsibility of the user. The statements herein shall have no force or effect.

Material:	Transparent cellulose
Core:	3" and 1"
Thickness:	2 mils
Size:	1/2", 3/4", 1" & 2"
Length:	1" core / 108' 3" core / 216'

Colors:	Transparent, Yellow transparent, Transparent printed, Yellow printed Transparent w/blue strip, Transparent w/red strip,
Static Generation:	<250 volts @50%RH
Tensile Strength:	90 N/25mm
Elongation:	18%

B1651 1/2" x 1" core clear tape, **B1653** 1/2" x 3" core clear tape
B1631 3/4" x 1" core clear tape, **B1633** 3/4" x 3" core clear tape.
B1653P 1/2" x 3" core printed tape, **B1633P** 3/4" x 3" core printed tape
 Many others available.

S1651