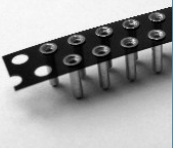
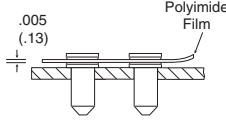
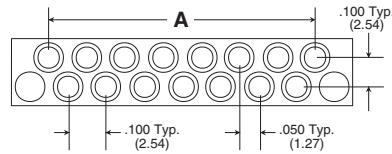


Table of Models

	Description: Peel-A-Way® (KZD) Material: Polyimide Film Index: -269°C to 400°C (-452°F to 752°F)	
---	---	---

Dimensional Information



Part Number	# of Pins	A
KZD016-85TG	16	.700/(17.78)
KZD018-85TG	18	.800/(20.32)
KZD020-85TG	20	.900/(22.86)
KZD024-85TG	24	1.100/(27.94)
KZD028-85TG	28	1.300/(33.02)
KZD040-85TG	40	1.900/(48.26)

Features:

- Available in solder tail configurations with mounted heights from .015/(.38mm) to .165/(4.19mm) above PCB.
- Low insertion force contact.
- All terminals are closed end, screw-machined construction for 100% anti-wicking of solder.
- ZIP socket configurations can be supplied in a Peel-A-Way® sheet of sockets to maximize socket loading rates and minimize your labor cost.

Specifications:

Terminals:

Brass - Copper Alloy
(C36000) ASTM-B-16

Contacts:

Beryllium Copper
(C17200) ASTM-B-194

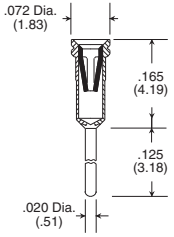
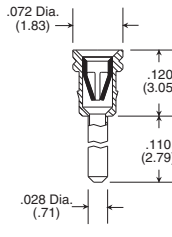
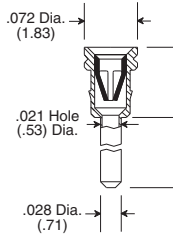
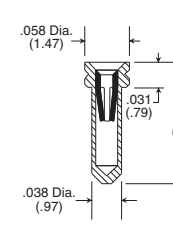
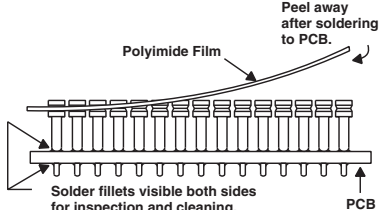
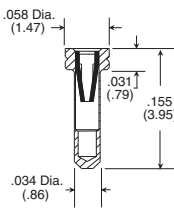
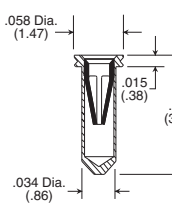
Plating:

G - Gold over Nickel
M - Matte Tin over Nickel
T - Tin/Lead over Nickel

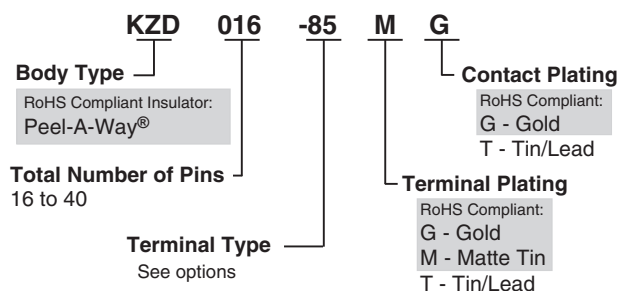
Gold per ASTM-B-488
Matte Tin per ASTM545-97
Tin/Lead per MIL-P-81728
Nickel per QQ-N-290

Additional standard and custom terminals available.
See Terminals section or consult factory.

Standard Terminals

Type -33	Type -04	Type -49	Type -85
			
Type -176	Type -210		
		<ol style="list-style-type: none"> 1. Place socket on PC board. 2. Send PC board and socket through soldering operation. 3. Peel away polyimide film carrier for complete solder joint visibility or leave in place for added stability. 	

How To Order



5 Energy Way, West Warwick, RI 02893 USA
 Tel: 800.424.9850 | 401.823.5200
 Fax: 401.823.8723
 info@advanced.com | www.advanced.com
 Rev. 1